

# XBFRM1

**High performance  
universal opening  
for all automatic doors**



## Design

- compact size
- high ease of fitting
- sophisticated design to answer to the most exacting architect's requirements
- vandal-proof thanks to a robust ABS cover and a special housing fixing system

## Technology

- planar antenna in K-band that ensures high precision of the sensing field dimensions
- digital electronics controlled by a powerful microprocessor with high filtering capabilities

## Detection

- very wide sensing field for greater user comfort and very good side detection due to the oval sensing field shape
- optional 6 elements antenna for narrow sensing field

## Adjustments for universal use

- 3 D antenna adjustment: the XBFRM1 antenna can be oriented along two axes :
  - frontal adjustment from 0° to 90° means you can fix the sensor to the ceiling without any additional accessories
  - lateral adjustment from 30° left to 30° right: sensor can be placed on the side of the door with the option of centring the field in front of the door
- high immunity setting in case of difficult situations
- mounting height up to 3 metres

## Microwave sensor controlled by microprocessor

Digital motion sensor : the most economical all-round solution for opening of all types of automatic doors (sliding, swinging, revolving, curved...).

The sensor adapts itself to every application without the need of additional accessories



**FAAC**  
*Simply automatic.*



## Description

- 1 Terminal block
- 2 LED
- 3 Antenna bracket front adjustment
- 4 Microprocessor
- 5 Potentiometer
- 6 Dip-switches
- 7 Planar antenna
- 8 Ring for lateral adjustment



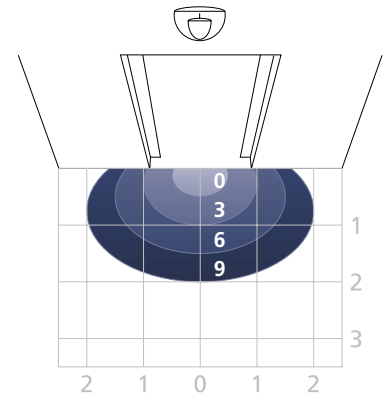
## Accessories

- 1 **ECA** : Accessory for mounting in false ceiling
- 2 **ERA** : Rain cover accessory
- 3 **EBA** : another mounting possibility

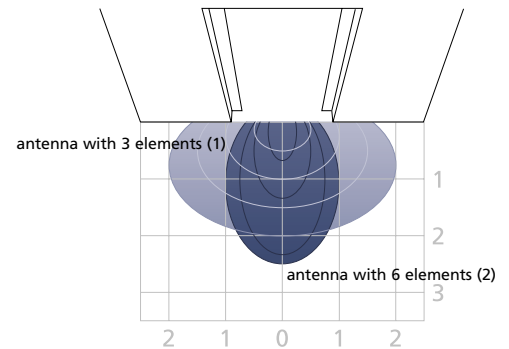
## Technical specifications

Technology	microwave and microprocessor
Transmitter frequency	24.175 GHz
Transmitter radiated power	< 20 dBm EIRP
Transmitter power density	< 5 mW/cm <sup>2</sup>
Mounting height	3 m maximum
Tilt angles	0° to 90° vertical and - 30° to + 30° lateral
Detection area (standard mounting height = 2.2 m)	4 m (W) x 2 m (D)
Detection mode	motion
Minimum speed	5 cm/s (measured in the sensor axis)
Supply voltage	12V to 24V DC +30% / -10%
Mains frequency	50 to 60 Hz
Power consumption	< 2W (VA)
Output relay (free of potential change-over contact)	
Max. contact voltage	42V AC - 60V DC
Max. contact current	1A (resistive)
Max. switching power	30W (DC) / 60VA (AC)
Hold time	0.5 s
Temperature range	-20°C to +55°C
Degree of protection	IP54
Norm Conformity	R&TTE 1999/5/EC; EMC 89/336/EEC
Material	ABS
Colour of housing	anthracite grey, aluminium finish or white
Dimensions	120 mm (W) x 80 mm (H) x 50 mm (D)
Weight	0.215 kg
Length of cable	2.5 m

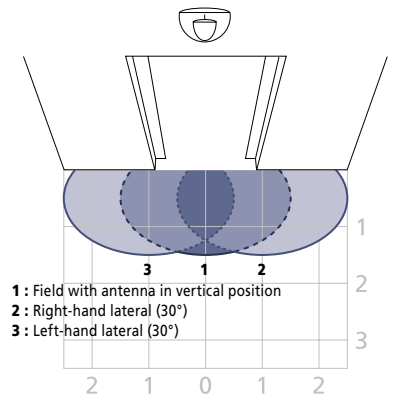
## Sensing fields



Sensing fields in accordance with sensitivity setting  
Mounting height: 2.20 m



Sensing fields in accordance with type of antenna and sensitivity  
Mounting height: 2.20 m



Sensing fields in accordance with lateral position of antenna  
Mounting height: 2.20 m

## Application



Subject to modification



**FAAC**  
Simply automatic.